

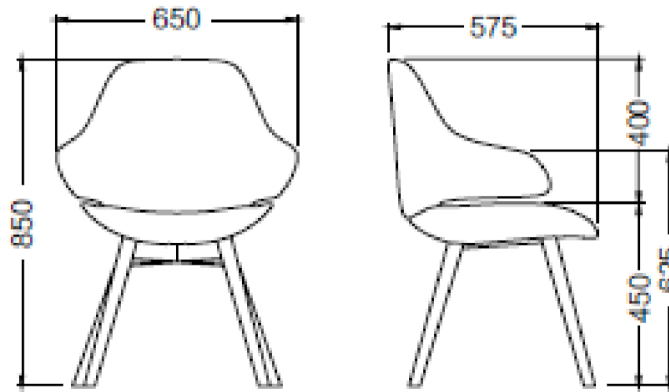


CORPORATE
CHAIR
SYSTEMS



FABRIC OPTIONS

Available in Black and Dark Grey
Upholstery



- ✓ MOLDED FOAM WITH INNER METAL FRAME CONSTRUCTION
- ✓ ASH WOOD BASE
- ✓ AS/NZS 4438: 1997 COMPLIANT
- ✓ ISO 9001 QUALITY, ISO 140001 ENVIRONMENTAL CERTIFICATION
- ✓ CHAIR LOAD RATING 140KG

CRESCENT

**PROVIDES SUPERIOR
COMFORT,
STRENGTH, AND
STYLE ALL IN ONE**

CHECK IT OUT

